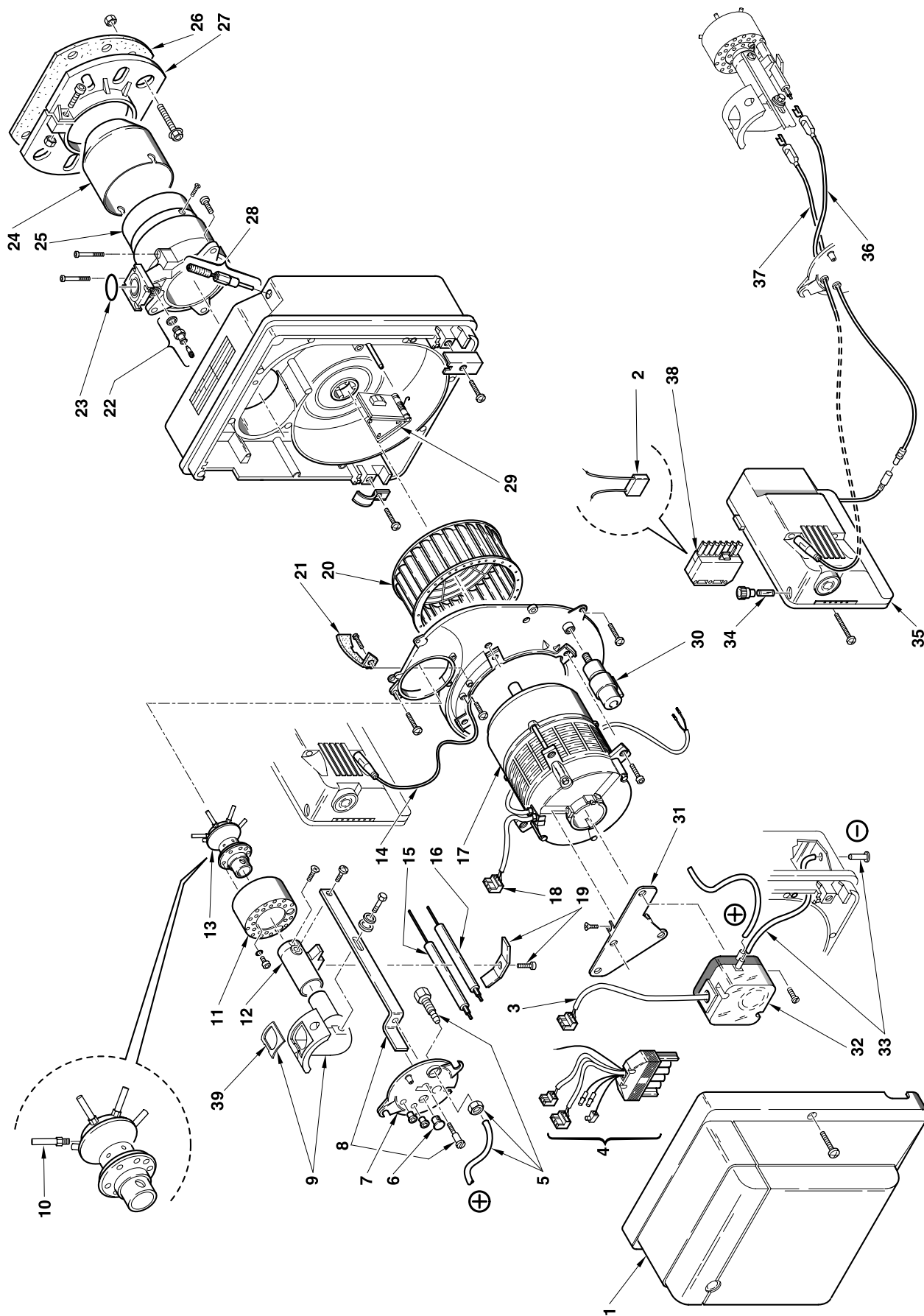


Bruciatori di gas • Gas burners • Brûleurs gaz • Gas-Gebläsebrenner • Gasbranders

**Gulliver** BS1 COD. 3761150 TIPO/TYPE/TYP 911 T1 BS3 COD. 3761350 TIPO/TYPE/TYP 913 T1  
BS2 COD. 3761250 TIPO/TYPE/TYP 912 T1 BS4 COD. 3761450 TIPO/TYPE/TYP 914 T1



| N. | COD.    | DESCRIZIONE | DESCRIPTION        | DESCRIPTION        | BESCHREIBUNG       | BENAMING               | MATRICOLA BRUCIATORE<br>BURNER SERIAL NUMBER<br>MATRICULE BRULEUR<br>BRENNER KENN-NUMMER<br>REGISTRATIENR. BRANDER |
|----|---------|-------------|--------------------|--------------------|--------------------|------------------------|--|
| 1  | 3008508 | •           | COFANO             | COVER              | CAPOT              | BRANDERKAP             |  |
| 1  | 3008509 | •           | COFANO             | COVER              | CAPOT              | BRANDERKAP             |  |
| 1  | 3007975 | •           | COFANO             | COVER              | CAPOT              | BRANDERKAP             |  |
| 1  | 3008496 | •           | COFANO             | COVER              | CAPOT              | BRANDERKAP             |  |
| 2  | 3008582 | •           | CONDENSATORE       | CAPACITOR          | CONDENSATEUR       | CONDENSATOR            |  |
| 3  | 3007984 | •           | COLLEGAMENTO       | LEAD               | CABLE DE CONNEXION | VERBINDUNGSKABEL       |  |
| 4  | 3008933 | •           | COLLEGAMENTO       | LEAD               | CABLE DE CONNEXION | VERBINDUNGSKABEL       |  |
| 5  | 3007982 | •           | RACCORDO E TUBETTO | CONNECTOR AND TUBE | MAMELON ET TUYAU   | NIPPEL MET DRUKLEIDING |  |
| 6  | 3007458 | •           | VETRINO            | VIEWING PORT       | REGARD             | KIJKGLAS               |  |
| 7  | 3007613 | •           | OPERCHIO           | COVER              | COUVERCLE          | DEKSEL                 |  |
| 7  | 3007491 | •           | OPERCHIO           | COVER              | COUVERCLE          | DEKSEL                 |  |
| 7  | 3007642 | •           | OPERCHIO           | COVER              | COUVERCLE          | DEKSEL                 |  |
| 8  | 3007980 | •           | STAFFA E VITE      | BRACKET AND SCREW  | SUPPORT ET VIS     | DRAAGBEUGEL EN SCHROEF |  |
| 8  | 3007981 | •           | STAFFA E VITE      | BRACKET AND SCREW  | SUPPORT ET VIS     | DRAAGBEUGEL EN SCHROEF |  |
| 8  | 3008505 | •           | STAFFA E VITE      | BRACKET AND SCREW  | SUPPORT ET VIS     | DRAAGBEUGEL EN SCHROEF |  |
| 9  | 3007977 | •           | GOMITO             | ELBOW              | COUDE              | ELLEBOOG               |  |
| 9  | 3007978 | •           | GOMITO             | ELBOW              | COUDE              | ELLEBOOG               |  |
| 9  | 3007979 | •           | GOMITO             | ELBOW              | COUDE              | ELLEBOOG               |  |
| 10 | 3008000 | •           | TUBO               | TUBE               | TUYAU              | LEIDING                |  |
| 10 | 3008001 | •           | TUBO               | TUBE               | TUYAU              | LEIDING                |  |
| 10 | 3008002 | •           | TUBO               | TUBE               | TUYAU              | LEIDING                |  |
| 10 | 3008504 | •           | TUBO               | TUBE               | TUYAU              | LEIDING                |  |
| 11 | 3007993 | •           | TAZZA              | AIR DIFFUSER       | DIFFUSEUR D'AIR    | LUCHTVERDELER          |  |
| 11 | 3007994 | •           | TAZZA              | AIR DIFFUSER       | DIFFUSEUR D'AIR    | LUCHTVERDELER          |  |
| 11 | 3007995 | •           | TAZZA              | AIR DIFFUSER       | DIFFUSEUR D'AIR    | LUCHTVERDELER          |  |
| 11 | 3008501 | •           | TAZZA              | AIR DIFFUSER       | DIFFUSEUR D'AIR    | LUCHTVERDELER          |  |
| 12 | 3007990 | •           | PROLUNGA GOMITO    | ELBOW EXTENSION    | PROLONGE COUDE     | VERLENGSTUK ELLEBOOG   |  |
| 12 | 3007991 | •           | PROLUNGA GOMITO    | ELBOW EXTENSION    | PROLONGE COUDE     | VERLENGSTUK ELLEBOOG   |  |
| 12 | 3007992 | •           | PROLUNGA GOMITO    | ELBOW EXTENSION    | PROLONGE COUDE     | VERLENGSTUK ELLEBOOG   |  |
| 13 | 3007996 | •           | DISTRIBUTORE       | DISTRIBUTOR        | DISTRIBUTEUR       | VERDELER               |  |
| 13 | 3007997 | •           | DISTRIBUTORE       | DISTRIBUTOR        | DISTRIBUTEUR       | VERDELER               |  |
| 13 | 3007998 | •           | DISTRIBUTORE       | DISTRIBUTOR        | DISTRIBUTEUR       | VERDELER               |  |
| 13 | 3008503 | •           | DISTRIBUTORE       | DISTRIBUTOR        | DISTRIBUTEUR       | VERDELER               |  |
| 14 | 3007989 | •           | COLLEGAMENTO       | LEAD               | CABLE DE CONNEXION | VERBINDUNGSKABEL       |  |
| 15 | 3007987 | •           | SONDA              | PROBE              | SONDE              | SONDE                  |  |
| 15 | 3007988 | •           | SONDA              | PROBE              | SONDE              | SONDE                  |  |
| 16 | 3008930 | •           | ELETTRODO          | ELECTRODE          | ELECTRODE          | ELECTRODE              |  |
| 16 | 3008931 | •           | ELETTRODO          | ELECTRODE          | ELECTRODE          | ELECTRODE              |  |
| 16 | 3008932 | •           | ELETTRODO          | ELECTRODE          | ELECTRODE          | ELECTRODE              |  |
| 17 | 3008489 | •           | MOTORE             | MOTOR              | MOTEUR             | MOTOR                  |  |
| 17 | 3008492 | •           | MOTORE             | MOTOR              | MOTEUR             | MOTOR                  |  |
| 17 | 3008506 | •           | MOTORE             | MOTOR              | MOTEUR             | MOTOR                  |  |
| 18 | 3007454 | •           | PRESA (Motore)     | SOCKET (Motor)     | PRISE (Moteur)     | VR. STEKKER (Motor)    |  |
| 19 | 3007265 | •           | CAVALLOTTO         | U BOLT             | CAVALIER           | VERBINDINGSSTUK        |  |
| 20 | 3007476 | •           | GIRANTE            | FAN                | VENTILATEUR        | VENTILATOR             |  |
| 20 | 3007652 | •           | GIRANTE            | FAN                | VENTILATEUR        | VENTILATOR             |  |
| 20 | 3008494 | •           | GIRANTE            | FAN                | VENTILATEUR        | VENTILATOR             |  |

| N. | COD.    | DESCRIZIONE         | DESCRIPTION          | BESCHREIBUNG          | BENAMING               | MATRICOLA BRUCIATORE<br>BURNER SERIAL NUMBER<br>MATRICULE BRULEUR<br>BRENNER KENN-NUMMER<br>REGISTRATIENR. BRANDER |
|----|---------|---------------------|----------------------|-----------------------|------------------------|--|
| 21 | 3007475 | CONVOGLIATORE       | SUCTION DUCT         | CONVOYEUR D'AIR       | LUCHTGELEIDER          |  |
| 21 | 3007651 | CONVOGLIATORE       | SUCTION DUCT         | CONVOYEUR D'AIR       | LUCHTGELEIDER          |  |
| 21 | 3008552 | CONVOGLIATORE       | SUCTION DUCT         | CONVOYEUR D'AIR       | LUCHTGELEIDER          |  |
| 22 | 3005447 | GRUPPO MISURAZIONE  | TEST POINT           | PRISE DE PRESSION     | DRUKMETING             |  |
| 23 | 3008003 | ANELLO DI TENUTA    | O - RING SEAL        | JOINT D'ETANCHEITE    | DICHTING O-RING        |  |
| 23 | 3008004 | ANELLO DI TENUTA    | O - RING SEAL        | JOINT D'ETANCHEITE    | DICHTING O-RING        |  |
| 23 | 3008005 | ANELLO DI TENUTA    | O - RING SEAL        | JOINT D'ETANCHEITE    | DICHTING O-RING        |  |
| 24 | 3008009 | IMBUTO FIAMMA       | END CONE             | EMBOUT GUEULARD       | BRANDERKOPRING         |  |
| 24 | 3008010 | IMBUTO FIAMMA       | END CONE             | EMBOUT GUEULARD       | BRANDERKOPRING         |  |
| 24 | 3008011 | IMBUTO FIAMMA       | END CONE             | EMBOUT GUEULARD       | BRANDERKOPRING         |  |
| 24 | 3008498 | IMBUTO FIAMMA       | END CONE             | EMBOUT GUEULARD       | BRANDERKOPRING         |  |
| 25 | 3008006 | MANICOTTO           | MANIFOLD             | MANCHON               | MOF                    |  |
| 25 | 3008007 | MANICOTTO           | MANIFOLD             | MANCHON               | MOF                    |  |
| 25 | 3008008 | MANICOTTO           | MANIFOLD             | MANCHON               | MOF                    |  |
| 25 | 3008502 | MANICOTTO           | MANIFOLD             | MANCHON               | MOF                    |  |
| 26 | 3008012 | SCHERMO             | GASKET               | JOINT                 | DICHTING               |  |
| 26 | 3005813 | SCHERMO             | GASKET               | JOINT                 | DICHTING               |  |
| 26 | 3008500 | SCHERMO             | GASKET               | JOINT                 | DICHTING               |  |
| 27 | 3008013 | FLANGIA MOBILE      | MOVABLE FLANGE       | BRIDE MOBILE          | MOBIELE FLENS          |  |
| 27 | 3008014 | FLANGIA MOBILE      | MOVABLE FLANGE       | BRIDE MOBILE          | MOBIELE FLENS          |  |
| 27 | 3008015 | FLANGIA MOBILE      | MOVABLE FLANGE       | BRIDE MOBILE          | MOBIELE FLENS          |  |
| 27 | 3008493 | FLANGIA MOBILE      | MOVABLE FLANGE       | BRIDE MOBILE          | MOBIELE FLENS          |  |
| 28 | 3007517 | REGOLATORE SERRANDA | AIR DAMPER REGULATOR | SYSTEME REGLAGE D'AIR | LUCHTREGELINGSSTEEM    | ≤ 01400XXXXXX  |
| 28 | 3008937 | REGOLATORE SERRANDA | AIR DAMPER REGULATOR | SYSTEME REGLAGE D'AIR | LUCHTREGELINGSSTEEM    | ≥ 01410XXXXXX  |
| 28 | 3007499 | REGOLATORE SERRANDA | AIR DAMPER REGULATOR | SYSTEME REGLAGE D'AIR | LUCHTREGELINGSSTEEM    | ≤ 01230090198  |
| 28 | 3008728 | REGOLATORE SERRANDA | AIR DAMPER REGULATOR | SYSTEME REGLAGE D'AIR | LUCHTREGELINGSSTEEM    | ≥ 01230090199  |
| 28 | 3007648 | REGOLATORE SERRANDA | AIR DAMPER REGULATOR | SYSTEME REGLAGE D'AIR | LUCHTREGELINGSSTEEM    | ≤ 01230090198  |
| 28 | 3002395 | REGOLATORE SERRANDA | AIR DAMPER REGULATOR | SYSTEME REGLAGE D'AIR | LUCHTREGELINGSSTEEM    | ≥ 01230090199  |
| 28 | 3007648 | REGOLATORE SERRANDA | AIR DAMPER REGULATOR | SYSTEME REGLAGE D'AIR | LUCHTREGELINGSSTEEM    | ≥ 01230090199  |
| 29 | 3008497 | SERRANDA            | AIR DAMPER           | VOLET AIR             | LUCHTKLEP              |  |
| 29 | 3007519 | SERRANDA            | AIR DAMPER           | VOLET AIR             | LUCHTKLEP              | ≤ 01400XXXXXX  |
| 29 | 3008815 | SERRANDA            | AIR DAMPER           | VOLET AIR             | LUCHTKLEP              | ≥ 01410XXXXXX  |
| 29 | 3007840 | SERRANDA            | AIR DAMPER           | VOLET AIR             | LUCHTKLEP              | ≤ 01230090198  |
| 29 | 3008729 | SERRANDA            | AIR DAMPER           | VOLET AIR             | LUCHTKLEP              | ≥ 01230090199  |
| 29 | 3007650 | SERRANDA            | AIR DAMPER           | VOLET AIR             | LUCHTKLEP              | ≤ 01230090198  |
| 29 | 3002394 | SERRANDA            | AIR DAMPER           | VOLET AIR             | LUCHTKLEP              | ≥ 01230090199  |
| 30 | 3007479 | CONDENSATORE 4µF    | CAPACITOR 4 µF       | CONDENSATEUR 4µF      | CONDENSATOR 4µF        |  |
| 30 | 3007655 | CONDENSATORE 6,3 µF | CAPACITOR 6,3 µF     | CONDENSATEUR 6,3 µF   | CONDENSATOR 6,3 µF     |  |
| 30 | 3008499 | CONDENSATORE 8 µF   | CAPACITOR 8 µF       | CONDENSATEUR 8 µF     | CONDENSATOR 8 µF       |  |
| 31 | 3008018 | STAFFA              | BRACKET              | SUPPORT               | DRAAGBEUGEL            |  |
| 32 | 3002316 | PRESSOSTATO         | PRESSURE SWITCH      | PRESSOSTAT            | DRUKREGELAAR           |  |
| 32 | 3007444 | PRESSOSTATO         | PRESSURE SWITCH      | PRESSOSTAT            | DRUKREGELAAR           |  |
| 33 | 3008017 | RACCORDO E TUBETTO  | CONNECTOR AND TUBE   | MAMELON ET TUYAU      | NIPPEL MET DRUKLEIDING |  |
| 34 | 3007396 | FUSIBILE            | FUSE                 | FUSIBLE               | ZEKERING               |  |
| 35 | 3001176 | APPARECCHIATURA 568 | CONTROL BOX 568      | BOITE DE CONTR. 568   | CONTOLEDOOS 568        |  |
| 36 | 3008491 | COLLEGAMENTO A.T.   | HIGH VOLTAGE LEAD    | CABLE HAUTE TENSION   | HOOGSPANNINGSKABEL     |  |
| 37 | 3008490 | COLLEGAMENTO        | LEAD                 | CABLE DE CONNEXION    | VERBINDINGSKABEL       |  |

